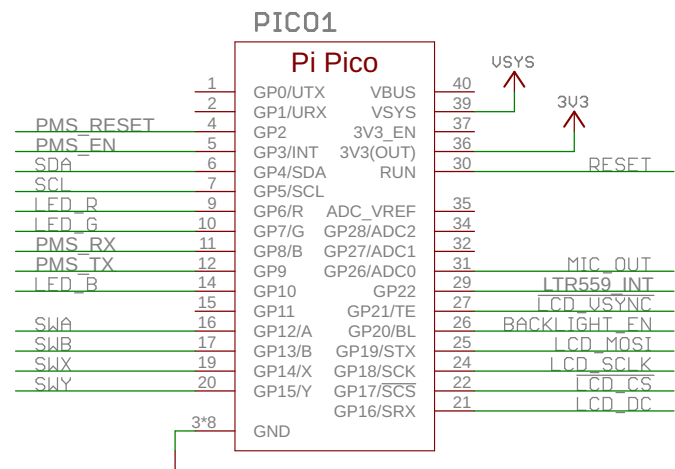
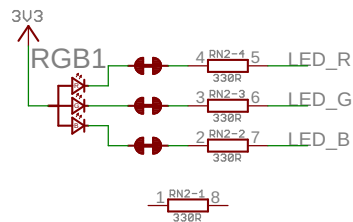


Pico Enviro+ Pack (PIM635)

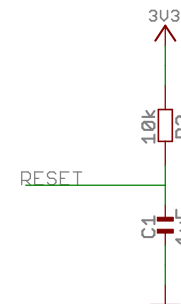
Pico connector



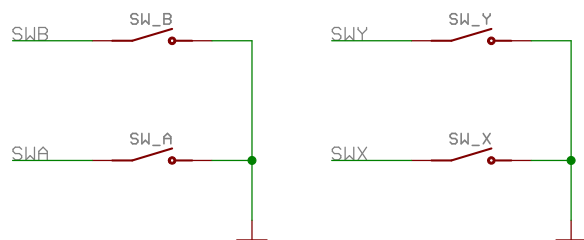
RGB LED



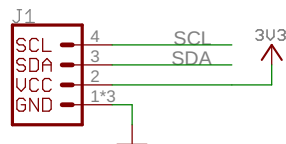
Display reset circuit



Buttons

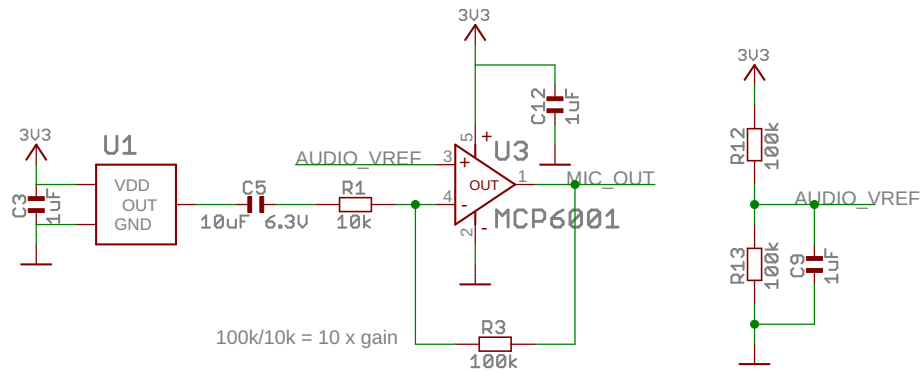


Qwiic connector

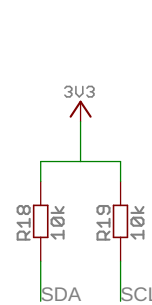


Pico Enviro+ Pack (PIM635)

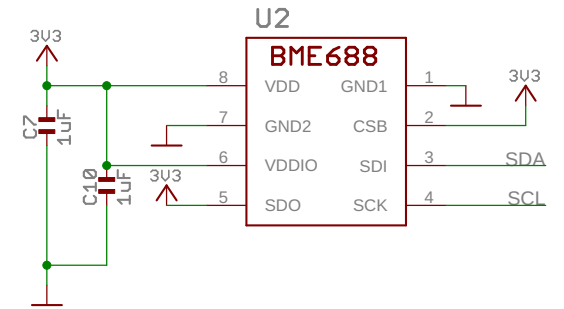
SPU0410HR5H Analog MEMS microphone + amplifier



I2C Pullups

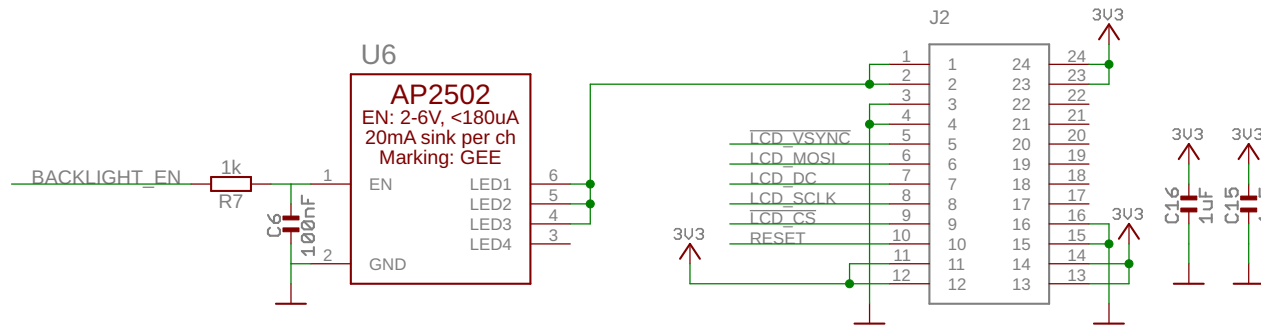


BME688 Gas, Pressure, Humidity and Temperature Sensor

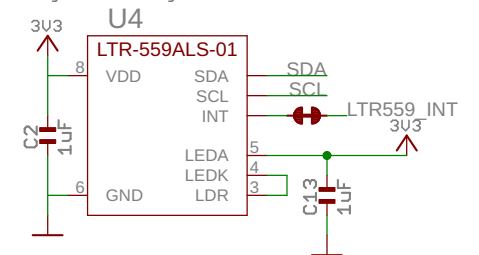


LCD and Backlight

Display backlight is 3 white LEDs in parallel ($V_f 3.2 - 20mA$). Each channel of the AP2502 constant current driver can supply 20mA so we tie them together to provide the necessary current.



LTR-559 digital light sensor



Connection for PMS5003 PM Sensor Current <math>< 100mA @ 5V</math>

