

# 广东金力变速科技股份有限公司 GUANGDONG KINGLY GEAR Co., LTD

电机型号(Model):

JL-12FN20-50-06420

样品单号(Sample Code):

XG-2014032803

日期(Date):

2020-05-06

额定电压 V  
Rated Voltage

6

使用环境温度范围 °C  
Operating Condition  
Temperature Range

-10~+60

空载转速 rpm  
Noload speed

420±10%

空载电流 mA  
Free-load Current

≤90

负载转矩 Kgf·cm  
Rated Torque

0.1

负载转速 rpm  
Onload speed

355±10%

负载电流 mA  
Roted Current

≤215

堵转电流 mA  
Stall Current

≤920

堵转力矩 Kgf·cm  
Stall Torque

≥0.4

旋向 CW/CCW  
Direction

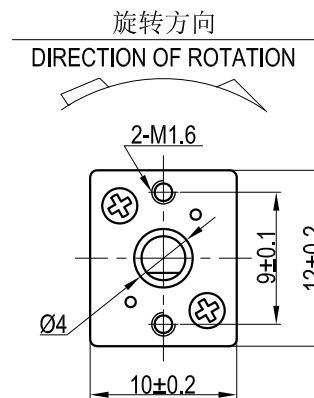
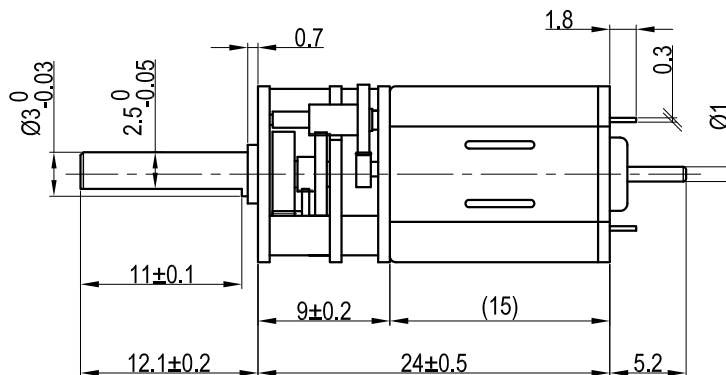
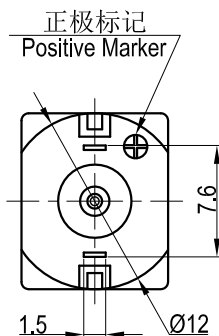
CW


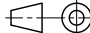
噪音 dBA  
Noise (L=300mm)

55 (Max)

轴向间隙 mm  
Axial gap

0.02~0.3



 <b>金力变速</b> KINGLY GEAR		外形图 outside drawing				客户确认 Confirmation Approved		
		Unit	mm	Size	A4			
制订: Formulate	周晓龙		version	A0	Scale			2:1
审核: Audit			Phase marker	S				
批准: Approved					Page			

广东金力变速科技股份有限公司

GUANGDONG KINGLY GEAR Co., LTD

样品测试报告

Sample Test Report

产品型号 Product model	样品数量 Sample quantity	样品单号 Sample reportor number	测试日期 Test date
JL-12FN20-50-06420	1	XG-2014032803	2020-05-06

1. 电气检查, 确保电源正确设置  
Electrical test, power setting confirmation

项目 Content	标准 Standard	测试电压 Measure voltage:6.0VDC				负载力矩 Load torque (Kgf·cm)					0.1		
		1	2	3	4	5	6	7	8	9	10	AVG	
起动电压 Start voltage	≤1.0V	0.5											0.5
空载电流 Noload current	≤90mA	60											60
空载转速 Noload speed	420±10% rpm	420											420.0
负载电流 Onload current	≤215mA	166											166
负载转速 Onload speed	355±10% rpm	355.0											355.0
起动力矩 Start torque	≥0.4Kgf·cm	0.5											0.5
旋转方向 Dirction of rotation	CW	CW											CW
噪声 Noise	55dB Max	OK											OK

2. 尺寸测量 Size measurement (mm)

项目 Content	标准 Standard	量具 Measurement tool	记录 Record											
			1	2	3	4	5	6	7	8	9	AVG		
轴伸 Out length of shaft	12.1±0.2	A	12.15											12.15
轴向间隙 Axial gap	0.02~0.3	G	0.04											0.04
扁位长度 D-CUT length	11±0.1	A	10.98											10.98
扁位厚度 D-CUT thickness	2.5 [0, -0.05]	C	2.49											2.49
轴径 Shaft diameter	φ3 [0, -0.03]	C	2.98											2.98
齿轮箱长度 Gearbox length	12±0.2	A	11.91											11.91
齿轮箱宽度 Gearbox width	10±0.2	A	9.92											9.92
齿轮箱高度 Gearbox hight	9±0.2	A	8.98											8.98

3. 外观及包装检查 Inspection of appearance and packaging

项目 Content	结果 Result	项目 Content	结果 Result
客户安装孔(2-M1.6) Customer mounting hole	<input checked="" type="checkbox"/> OK <input type="checkbox"/> NG	正极标识 Positive marking	<input checked="" type="checkbox"/> OK <input type="checkbox"/> NG
齿轮箱连接紧固 Gear box connection situation	<input checked="" type="checkbox"/> OK <input type="checkbox"/> NG	焊线正确 Wire welding check	<input type="checkbox"/> OK <input type="checkbox"/> NG
电机连接位置正确 Motor connection location	<input checked="" type="checkbox"/> OK <input type="checkbox"/> NG	整体外观 Appearance	<input checked="" type="checkbox"/> OK <input type="checkbox"/> NG
铭牌 Marking	<input type="checkbox"/> OK <input type="checkbox"/> NG	包装 Packaging	<input checked="" type="checkbox"/> OK <input type="checkbox"/> NG
电机后盖铆点 Motor endcap crimp	<input checked="" type="checkbox"/> OK <input type="checkbox"/> NG	其它 Others	<input checked="" type="checkbox"/> OK <input type="checkbox"/> NG

备注 Remark:  OK  NG 综合判定 Comprehensive determination:  OK  NG

量具代号 Measurement tool code :

A: 游标卡尺 vernier caliper; B: 百分表 dial indicator; C: 千分尺 micrometer; D: 转速计 speed gauge; E: 电流表 ammeter;  
F: 塞规 plug gauge; G: 高度计 altimeter

审核 Approval:

检验 Check:

制表 Design: 周晓龙