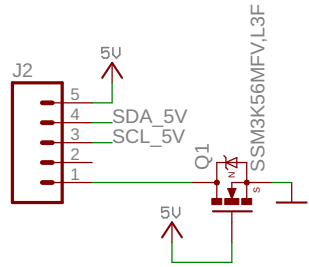
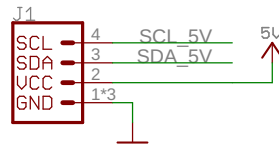


SCD41 CO2 Sensor Breakout (PIM587)

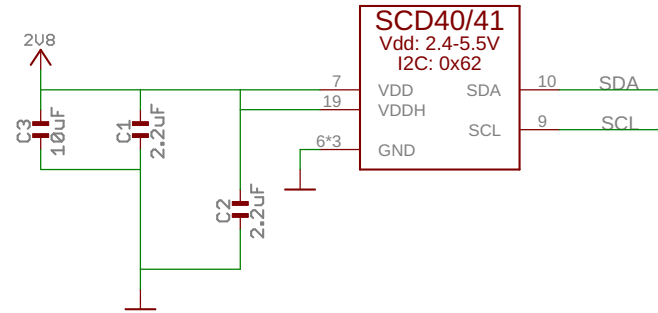
Pin header and reverse protection



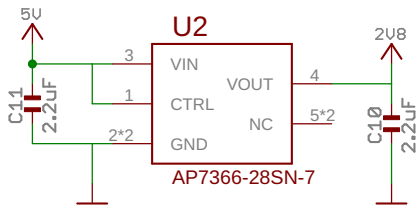
Qwiic / Stemma QT Connector



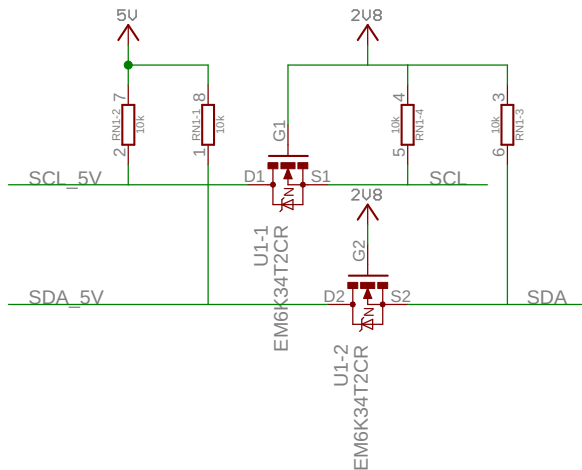
SCD41 CO2 sensor



LDO



I2C Level Shifter



PRODUCT

scd41

DATE GENERATED

26/01/2022 07:32

SHEET

1/1